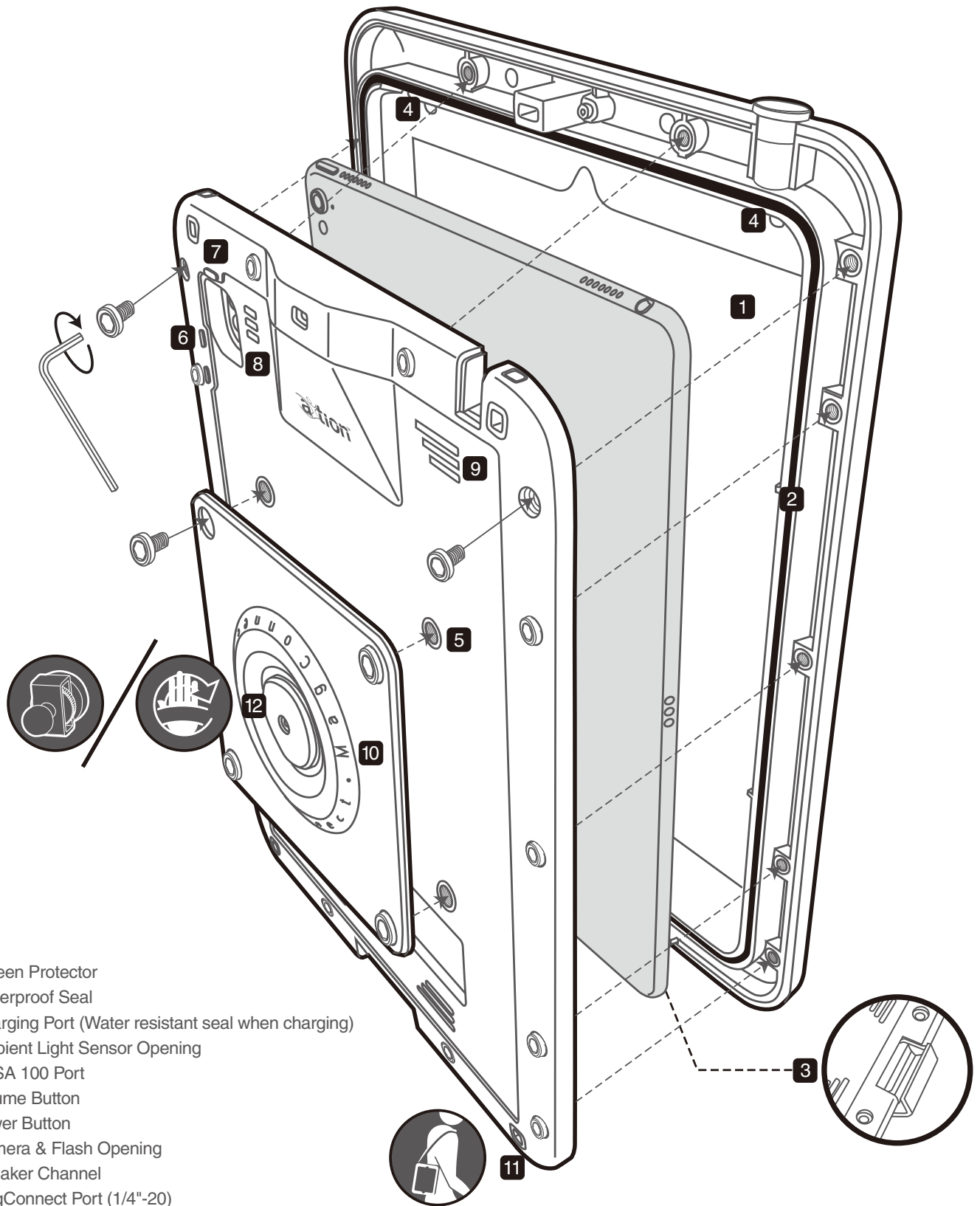


# action™ pro M

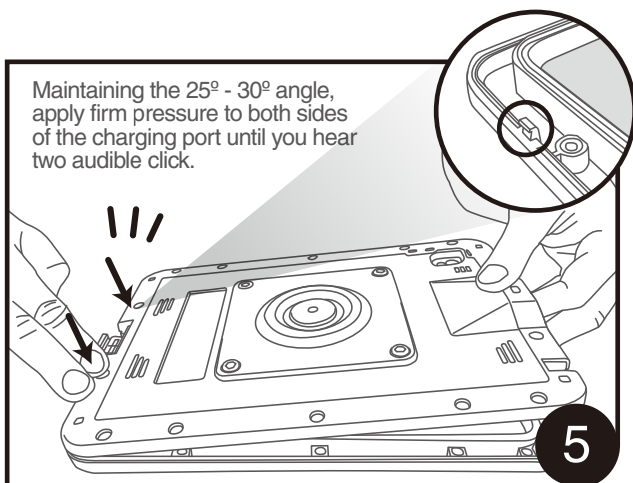
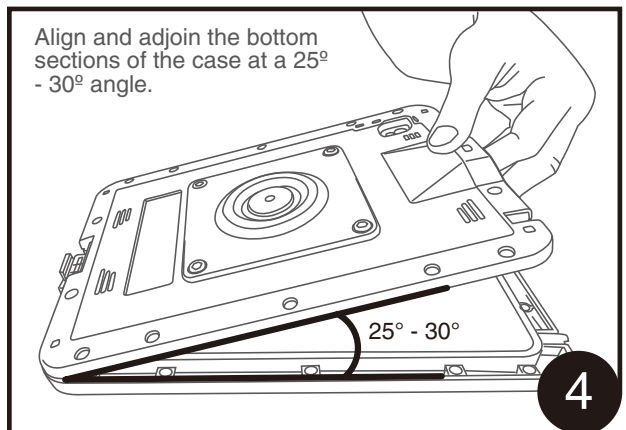
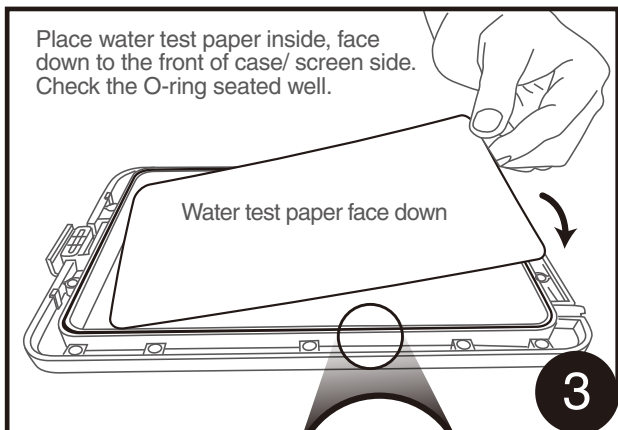
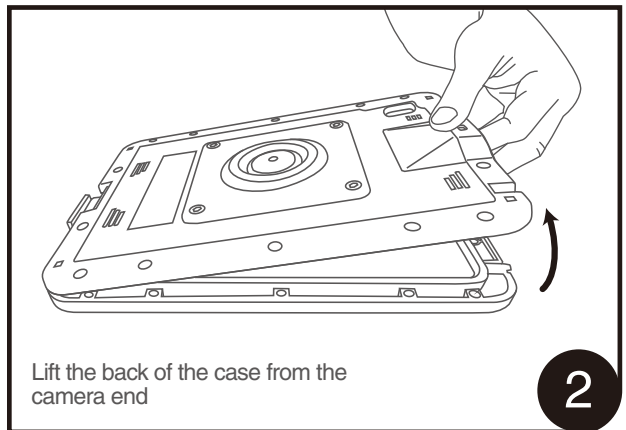
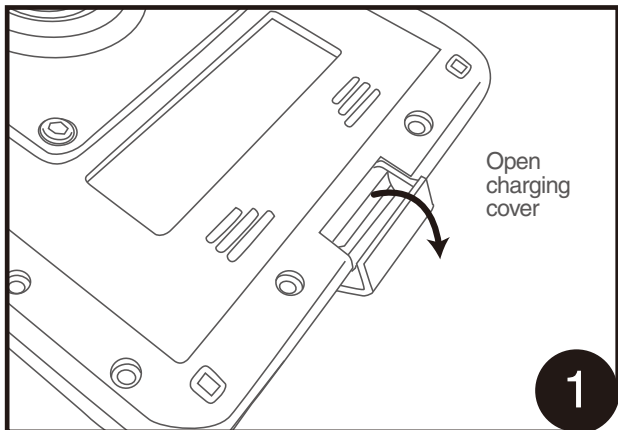
Installation Guide ご利用ガイド



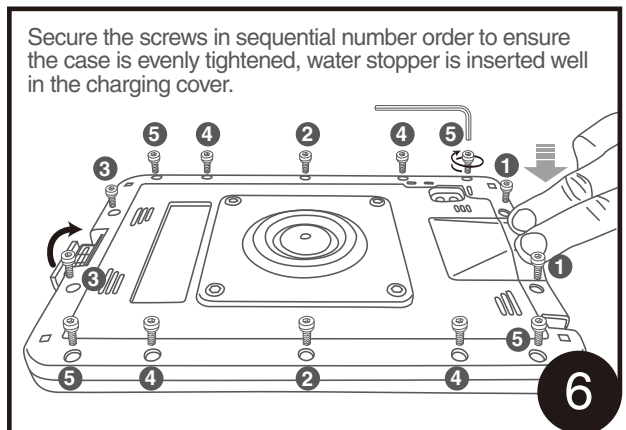
- 1 Screen Protector
- 2 Waterproof Seal
- 3 Charging Port (Water resistant seal when charging)
- 4 Ambient Light Sensor Opening
- 5 VESA 100 Port
- 6 Volume Button
- 7 Power Button
- 8 Camera & Flash Opening
- 9 Speaker Channel
- 10 MagConnect Port (1/4"-20)
- 11 Optional Shoulder Strap Support
- 12 Optional Hand Strap Support

# action™ pro M

## Installation Guide ご利用ガイド

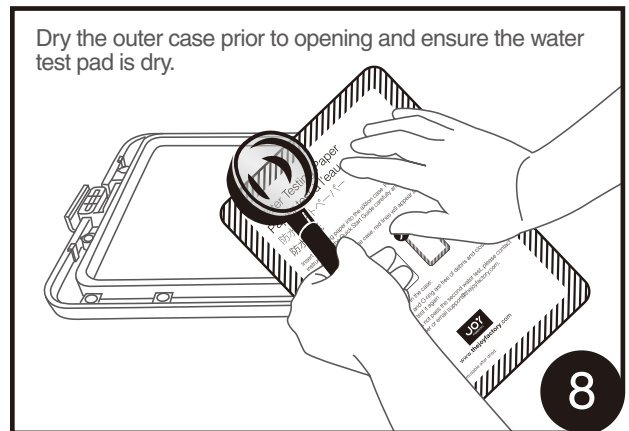
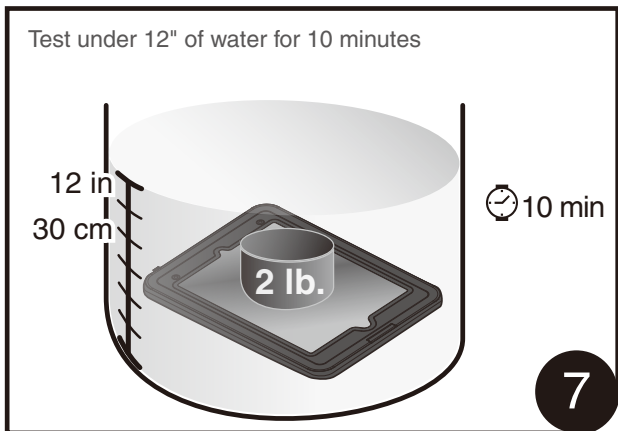


Repeat Steps 4-6

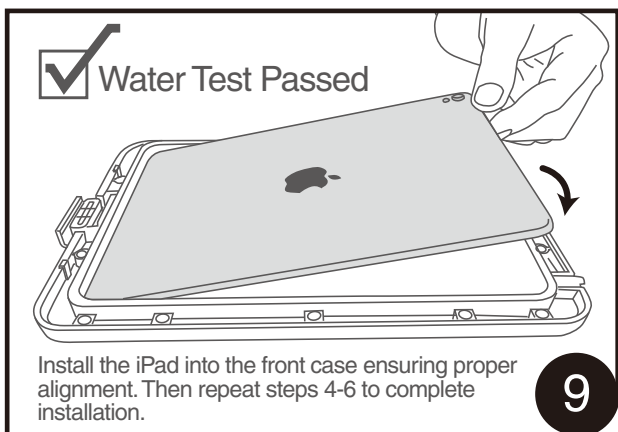


# action™ pro M

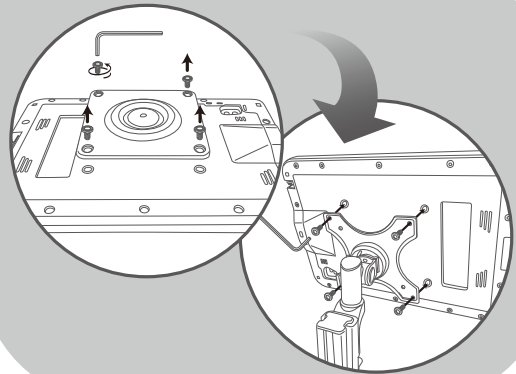
Installation Guide ご利用ガイド



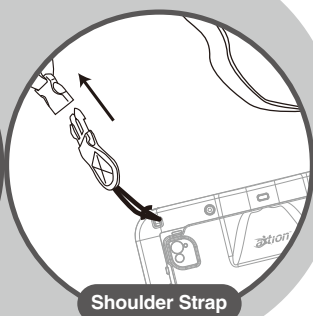
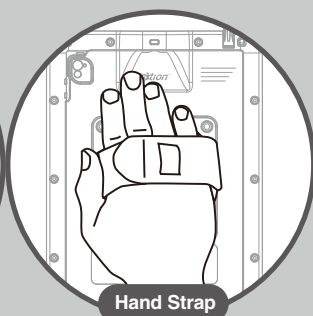
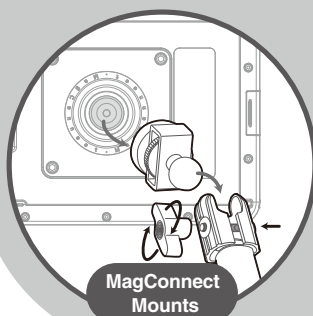
Repeat Steps 4-6



## VESA Installation



## Accessory

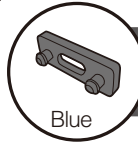


# action™ pro M

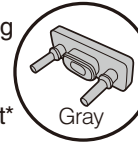
Installation Guide ご利用ガイド



## Water Stopper Replacing Installation

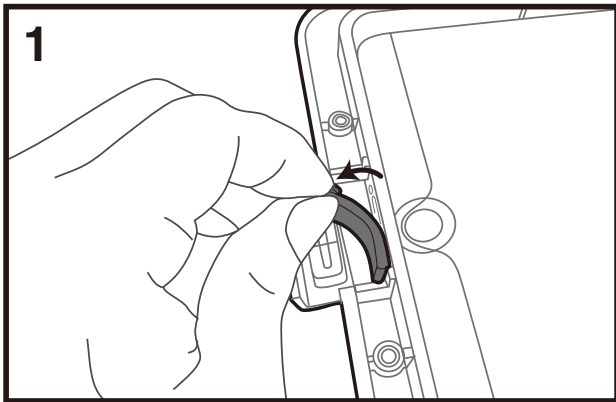
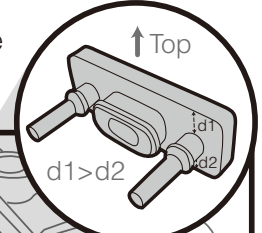


Charging @ IP65 Water-resistant\*

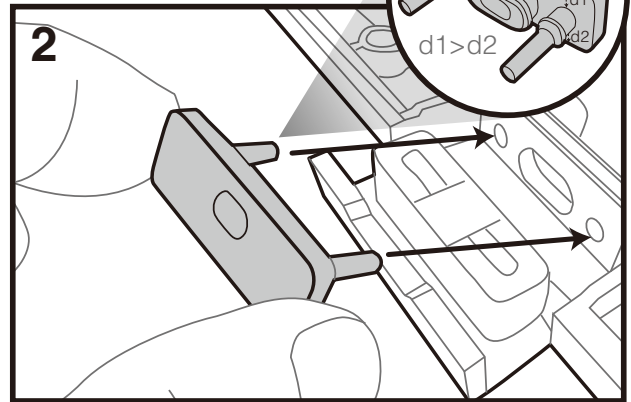


Call us to get the **Gray Water Stopper**.

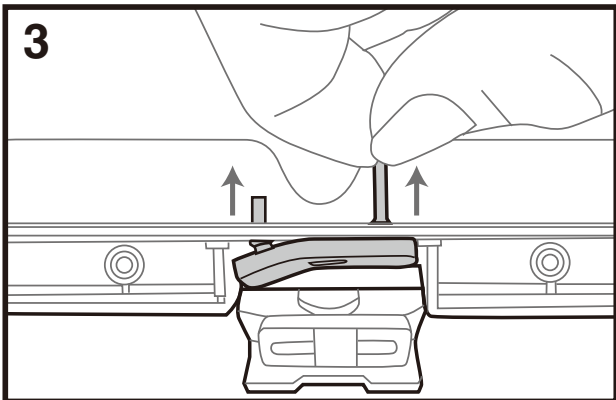
If water-resistant (IP65) is required while charging, replace the blue water stopper with the gray one by following directions below. **Call us to get the Gray Water Stopper.**



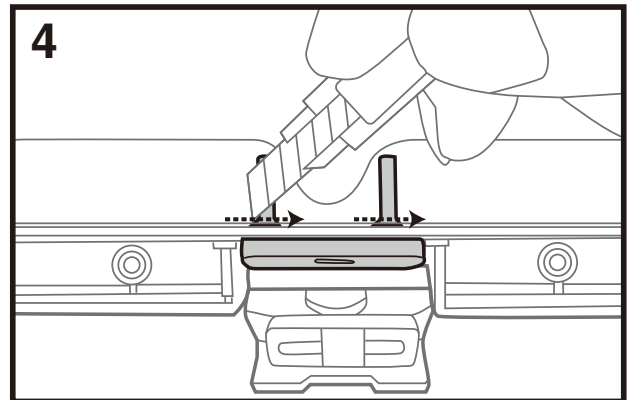
1 Grasp one side of blue rubber stopper and pull to remove



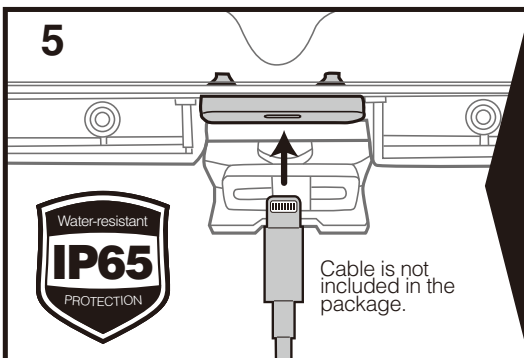
2 Align stopper with holes and ensure proper orientation (refer to photo), apply firm pressure to the charging port until the stopper sits into place



3 Pull each of the two rubber fingers through the holes until they are seated properly



4 Using a utility knife carefully cut the excess rubber



\* **CAUTION: WATER-RESISTANCE WHILE CHARGING** - Removing of the included charging cable from the GRAY water stopper will interrupt the water-resistant feature. We do not recommend constant removal of the cable to increase the longevity of the products and to ensure proper protection.

action™ pro M

Contact us:

support@thejoyfactory.com

(949) 216-8888

Monday through Friday,  
9:00 a.m. to 5:00 p.m. ( PST)



# *a*tion™ pro M

## *a*tion™ pro M

### **DISCLAIMER FOR aXtion™ Pro Ultra-Rugged Waterproof Cases**

Congratulations on the purchase of your new aXtion™ Ultra-Rugged Waterproof Case from The Joy Factory Inc!

BEFORE YOU USE THE aXtion™ Pro ULTRA-RUGGED WATERPROOF CASE, READ ALL INSTRUCTIONS CAREFULLY. IMPROPER USE OF THE CASE WILL RESULT IN DAMAGE TO YOUR IPHONE, IPAD or IPAD MINI .

FOR aXtion™ Pro CASES:

aXtion™ Pro Cases come in three models: for iPhone, iPad and iPad Mini. Your aXtion™ Pro Case is designed for only one of these products. For instance, if you purchased the aXtion™ Pro Case for iPad, it is only intended for use with, and only warranted for proper use with, an iPad and for use with no other device. Because different generations of iPhones and Apple tablets have different specifications, please refer to the packaging for your aXtion™ Pro Case to determine whether your iPhone, iPad or iPad Mini will be protected by the aXtion™ Pro Case.

If you are not certain whether the cell phone you intend to use with the aXtion™ Pro Case for iPhone is a model protected by the aXtion™ Pro Case, please contact your cell phone service provider or the manufacturer of the cell phone to determine whether it is a model supported by the aXtion™ Pro Case.

If you are not certain whether the tablet you intend to use with the aXtion™ Pro Case for iPad is a model protected by the aXtion™ Pro Case, please contact the company from which you purchased the tablet or the manufacturer of the tablet to determine whether it is a model supported by the aXtion™ Pro Case.

If you are not certain whether the tablet you intend to use with the aXtion™ Pro Case for iPad Mini is a model protected by the aXtion™ Pro Case, please contact the company from which you purchased the tablet or the manufacturer of the tablet to determine whether it is a model supported by the aXtion™ Pro Case.

Before you begin to enjoy your aXtion™ Pro Case, carefully read the section below.

All aXtion™ Pro are certified IP68 Waterproof. This means the aXtion™ Pro Cases are suitable for continuous immersion in water at depths of up to 1 meter (or about 3 feet) for up to 35 minutes. If you have any questions about whether your case will protect against water in certain situations, contact The Joy Factory prior to using the case in those situations. The IP68 rating also means that the aXtion™ Pro Cases are certified as "dust tight" (that is, no dust will be allowed inside the case when it is properly used and the device will be completely protected from contact with dust when the case is so used). All aXtion™ Pro Cases are also designed to be shock resistant. That is, these cases are designed to provide a degree of confidence that your aXtion™ Pro Cases can physically and functionally withstand the relatively infrequent, non-repetitive shocks encountered in handling, transportation and service environments.

It is critical that before using your aXtion™ Pro with your iPhone, iPad or iPad Mini you first test the aXtion™ Pro case without your cell phone or tablet in the case. It is especially important to ensure that you are properly using the locking mechanism when exposing the aXtion™ Case to water. Improper use of the locking mechanism will render your aXtion™ Case non-waterproof and will damage your iPhone or tablet. Do not use your aXtion™ Case with an iPhone, iPad or iPad Mini without first ensuring you are readily familiar with your aXtion™ Case and how it functions.

The Joy Factory will replace your aXtion™ Case if it has any manufacturing defects, free of charge. If you believe the case has a manufacturing defect, cease use immediately and contact The Joy Factory by email at [support@thejoyfactory.com](mailto:support@thejoyfactory.com) or by telephone at (949) 216-8888, Monday through Friday, 9:00 a.m. to 5:00 p.m., Pacific Time. Unfortunately, The Joy Factory is not able to replace or pay for replacement of iPhones, iPads or iPad Minis or any additional items which may be damaged from use of aXtion™ Case with manufacturing defects.

If the aXtion™ Case is damaged for any reason, or is not functioning properly for any reason, immediately stop using it. The Joy Factory expressly disclaims all liability and all warranties, whether express or implied, for use of an aXtion™ Case that has been damaged for any reason. The Joy Factory will not replace an aXtion™ Case that is damaged, other than an aXtion™ Case with a manufacturing defect, nor will it replace, or pay for replacement of, iPhones, iPads, iPad Minis or any additional items which may be damaged due to use of a damaged or altered aXtion™ Case.

The Joy Factory disclaims all liability for lost aXtion™ Cases and any device stored in a lost case.

Do not use your aXtion™ Case with any other case or bumper. Use of an additional case or bumper will render the aXtion™ Case non-waterproof, and The Joy Factory disclaims all liability from such use and will void any and all warranties, express or implied.

Any alteration to your aXtion™ Case will void any and all warranties and guarantees, whether express or implied, and The Joy Factory disclaims any and all liability for damages arising from use of an altered aXtion™ Case.

Using the aXtion™ Case with any device other than an iPhone, iPad or iPad Mini could lead to an improper seal of the case and will render the case non-waterproof. The Joy Factory disclaims all liability and all warranties, whether express or implied, for use of the aXtion™ Case with any device other than the iPhone, iPad or iPad Mini.

Contact us: | [support@thejoyfactory.com](mailto:support@thejoyfactory.com)  
(949) 216-8888  
Monday through Friday,  
9:00 a.m. to 5:00 p.m. (PST)