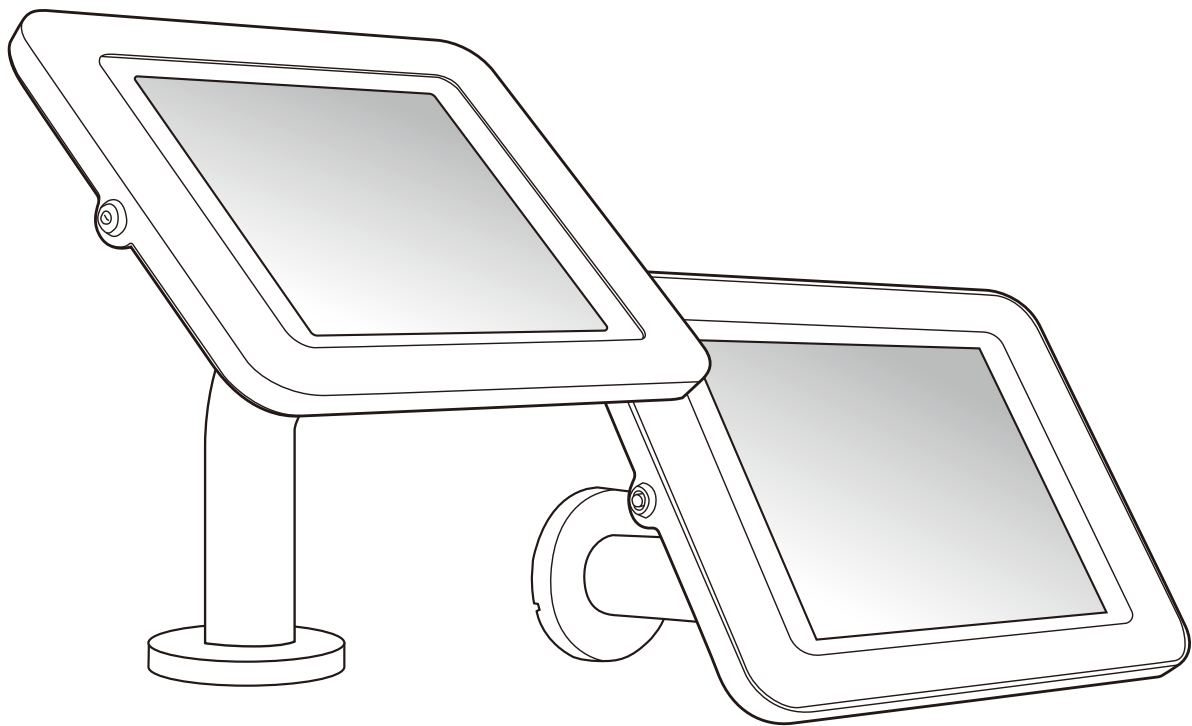


Elevate II

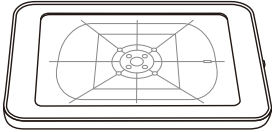
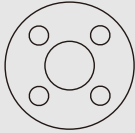

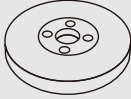
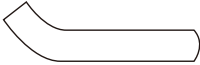
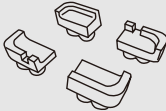
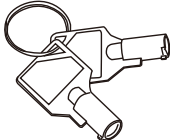


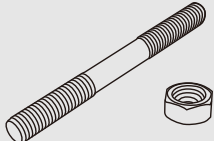

Wall/Countertop Mount Kiosk

Assembly Instructions

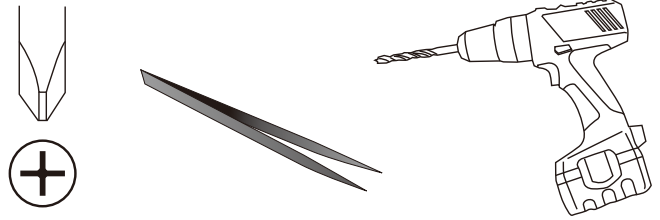
JOY
thejoyfactory



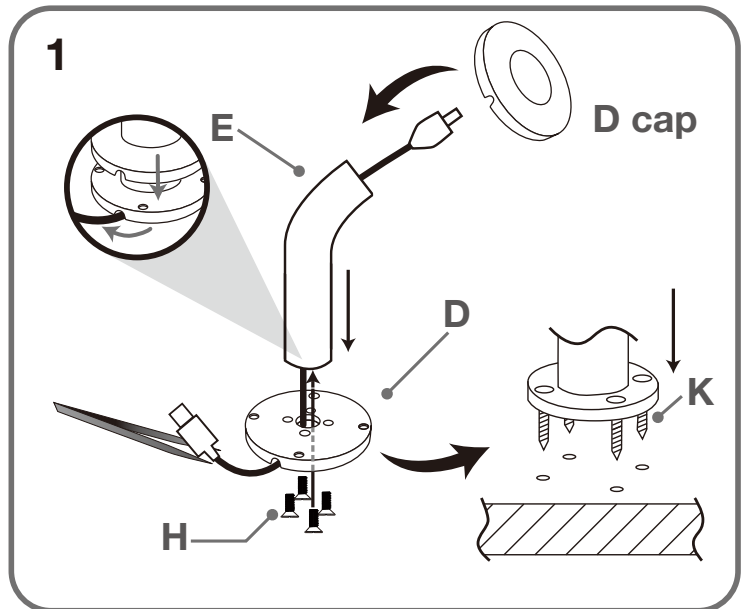
Contents

A	x1	
B	x1	
C	x1	
D	x1	
E	x1	
F	x4	
G	x2	
H	x4	
I	x4	
J	x4	
K	x4	

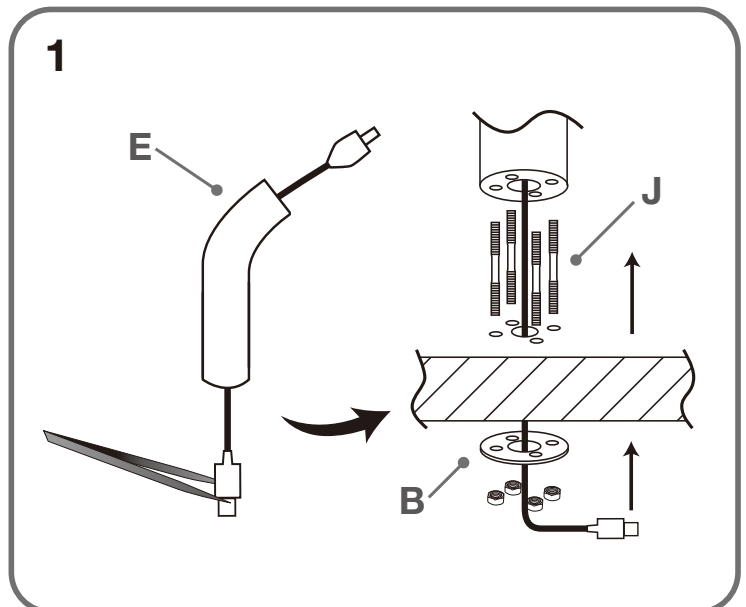
Tools required



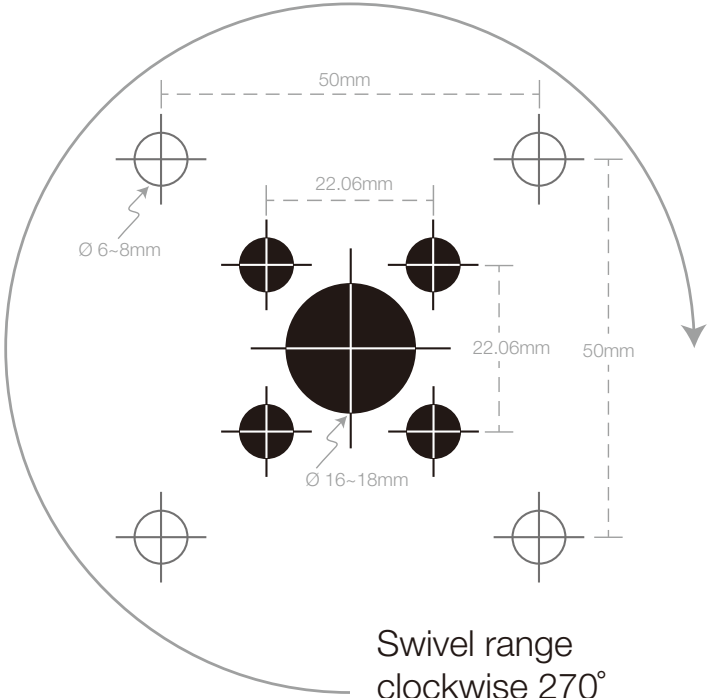
OPTION A Mount from above the surface



OPTION B Mount below the surface

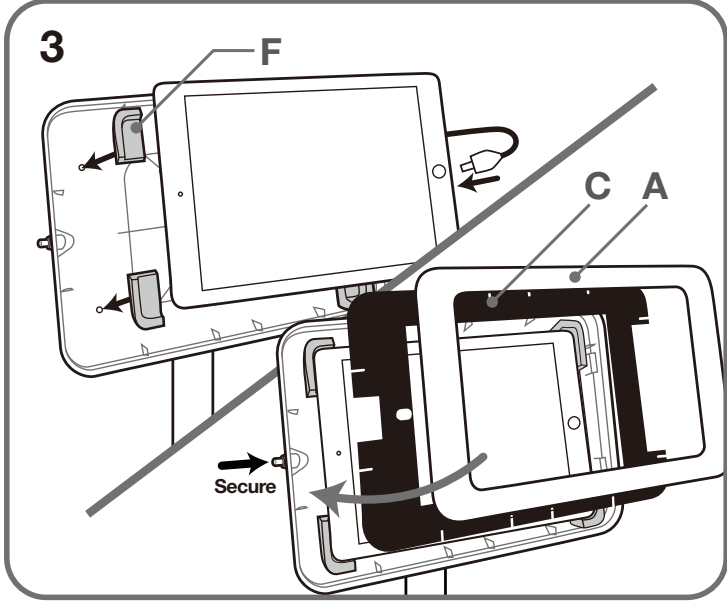
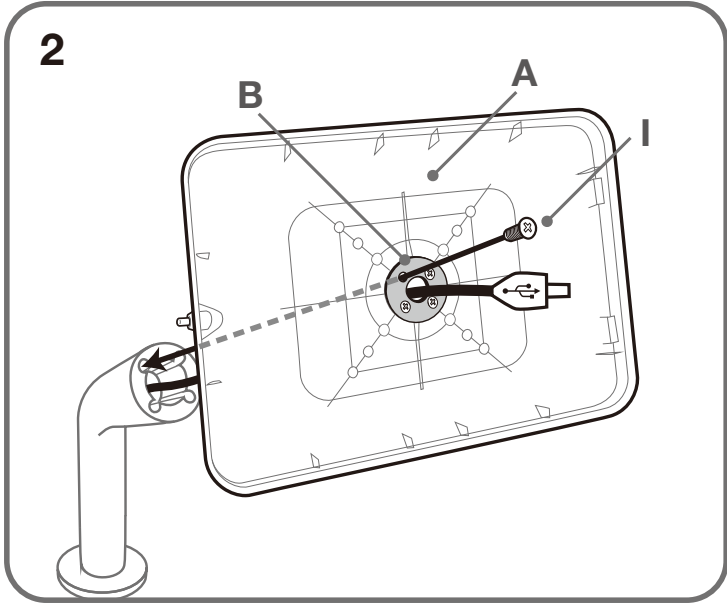


Drilling Template (Scale 1:1)



Email us at support@thejoyfactory.com or call us at +1(949) 216-8888

© The Joy Factory, Inc.



Optional 270° Module

Assembly Instructions

Contents			
O	x1		
P	x4		
Q	x4		

