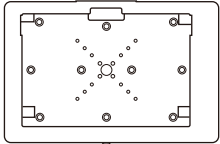
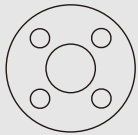
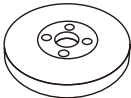
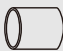
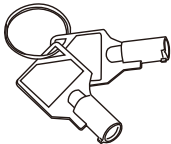
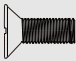

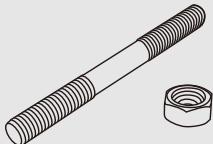



Elevate II

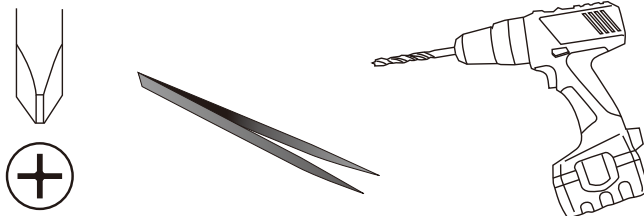
On-Wall Mount Kiosk for Surface Pro

Assembly Instructions

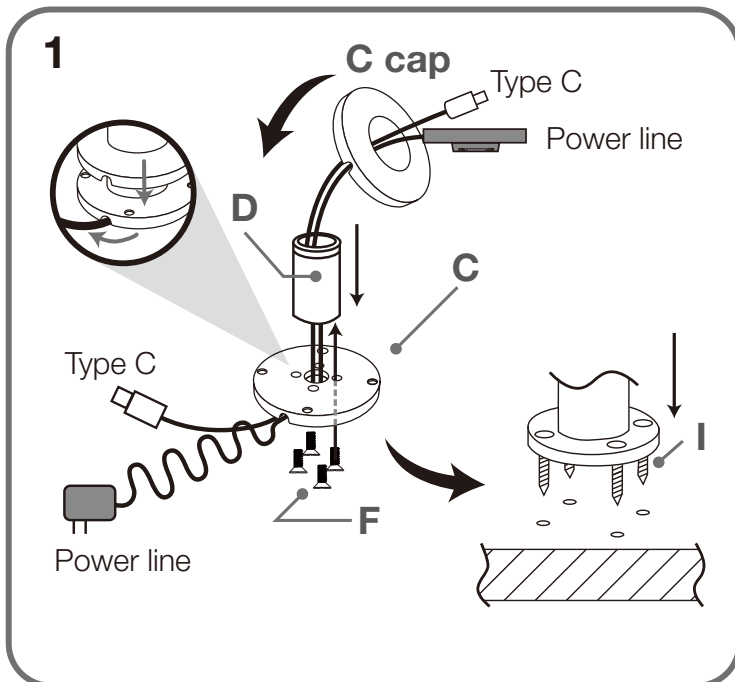
Contents

A	x1	
B	x1	
C	x1	
D	x1	
E	x2	
F	x4	
G	x4	
H	x4	
I	x4	

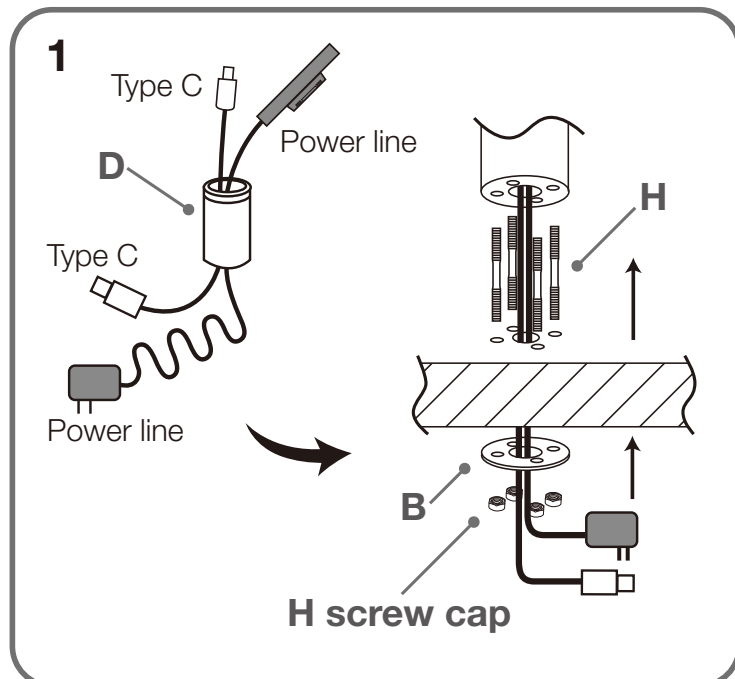
Tools Required



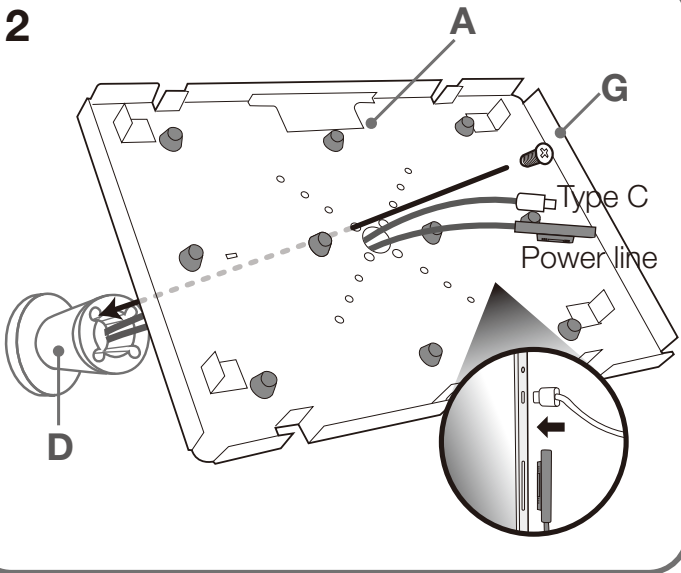
OPTION A Mount from above the surface



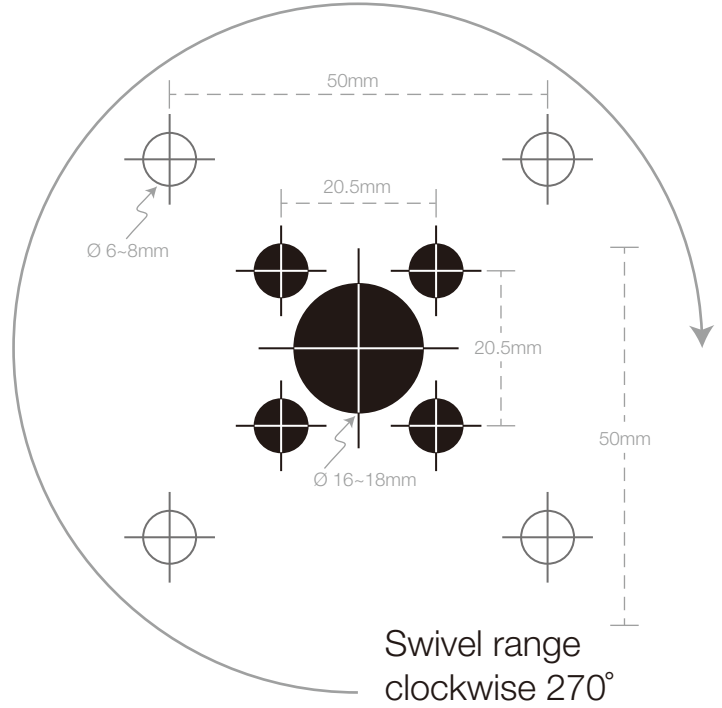
OPTION B Mount from below the surface



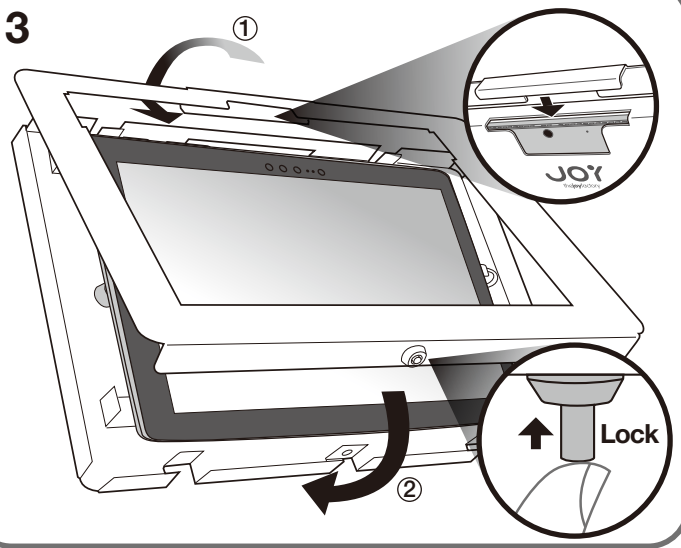
2



Drilling Template (Scale 1:1)



3



for arm



for swivel

Email us at support@thejoyfactory.com or call us at +1(949) 216-8888

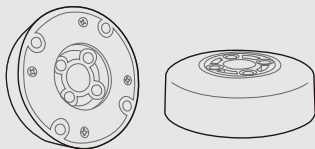
© The Joy Factory, Inc.

Optional 90° Module

Assembly Instructions

Contents

L x1



M x4

